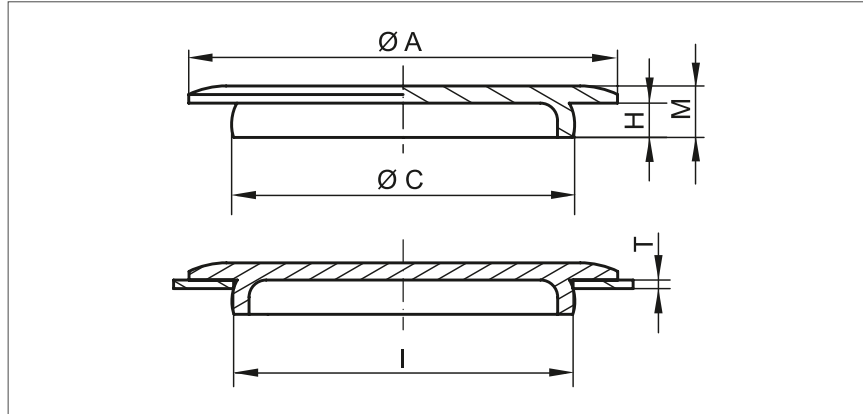


Covers

GPN 910



Additional information:
Flat design, ideal for closing apertures in cover panels.

Suitable for casings		Dimensions				Order no.
Aperture I	Wall thickness T	A	C	H	M	
12.0	1.0	16.0	12.3	3.0	5.0	910 / 3280
15.0	1.0	18.0	15.4	4.0	5.0	910 / 2179
17.3	1.0	20.0	17.6	4.0	6.0	910 / 3759
20.0	1.0	35.0	20.5	5.0	7.5	910 / 2967
20.5	1.0	25.0	21.1	2.5	4.0	910 / 0766
25.0	1.5	28.0	26.0	4.0	6.2	910 / 4015
25.5	1.0	38.0	26.0	5.3	7.4	910 / 3040
26.3	2.2	38.0	27.0	7.5	9.5	910 / 3043
26.5	1.5	38.0	27.0	4.3	6.3	910 / 0763
33.0	1.5	36.0	33.5	4.0	6.0	910 / 3790
36.0	2.0	53.0	36.5	5.0	7.0	910 / 5539
39.5	0.9	50.0	40.0	4.0	6.0	910 / 3205
39.7	0.8	50.0	40.4	2.4	4.2	910 / 4010
50.0	1.0	55.0	50.6	4.0	6.0	910 / 3097
53.0	1.5	62.0	53.8	4.0	6.0	910 / 0715
60.8	2.2	66.0	61.5	7.8	9.8	910 / 3044
61.0	1.5	68.0	62.0	4.0	5.8	910 / 0714
64.0	1.5	85.0	64.6	4.1	6.1	910 / 3791
71.0	1.5	76.0	71.5	5.0	7.5	910 / 2713
72.0	3.0	90.0	72.8	7.5	9.5	910 / 3042
74.5	1.5	83.0	75.0	8.0	10.0	910 / 3223
81.5	1.5	90.0	82.0	8.0	10.0	910 / 3222
92.0	3.0	103.0	93.0	7.7	9.7	910 / 3277
100.0	2.0	109.0	101.0	5.0	7.0	910 / 4395

Size in mm

Material:
Polyethylene (PE-LLD)
Colour:
Black